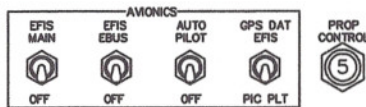
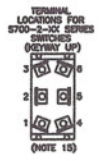
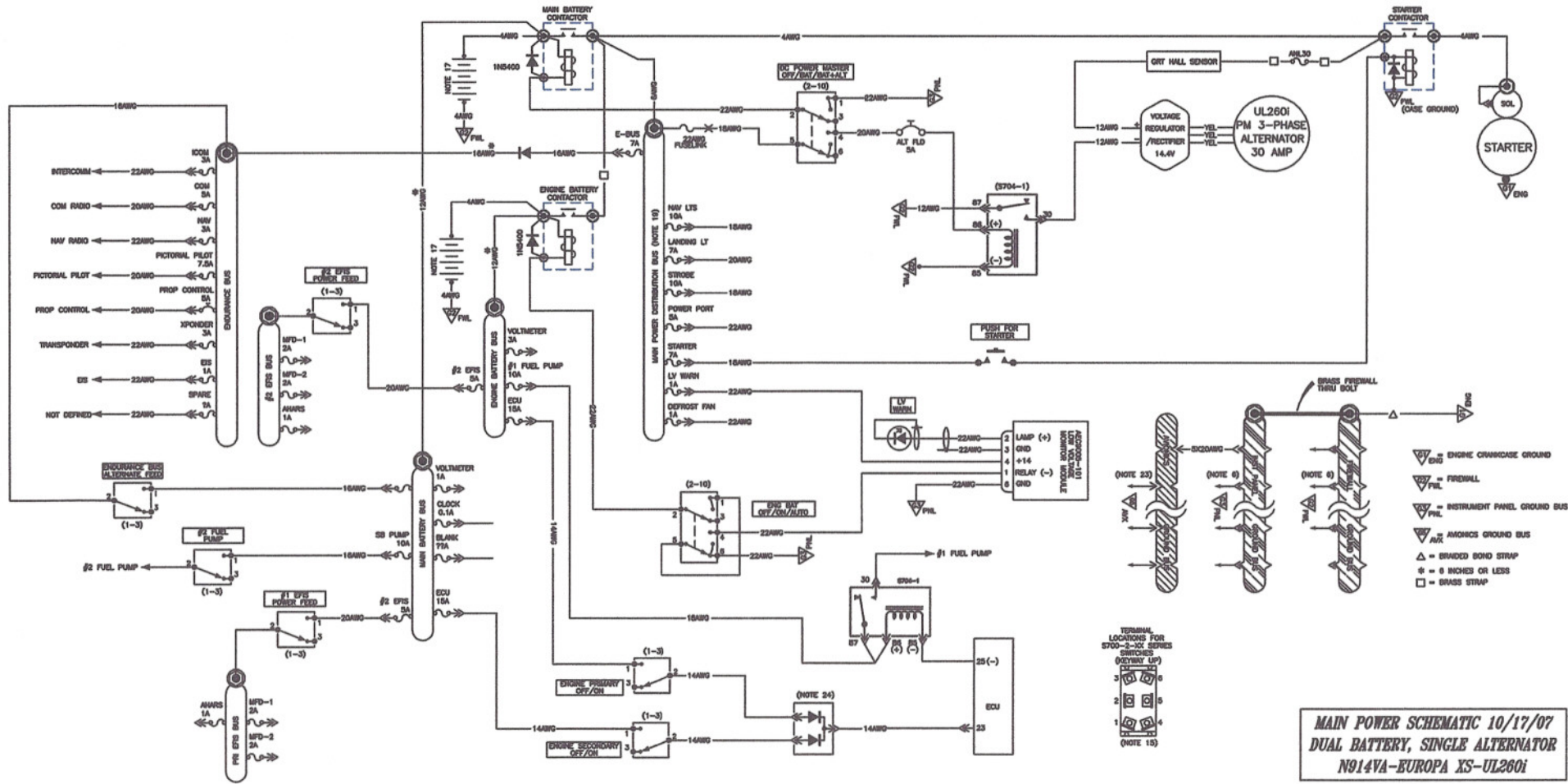


LEFT PANEL



(SA-817 SWITCHES)

SWITCH PANEL



MAIN POWER SCHEMATIC 10/17/07  
DUAL BATTERY, SINGLE ALTERNATOR  
N914VA-EUROPA XS-UL2601