

## Wheel Set for Fuselage

### Parts:

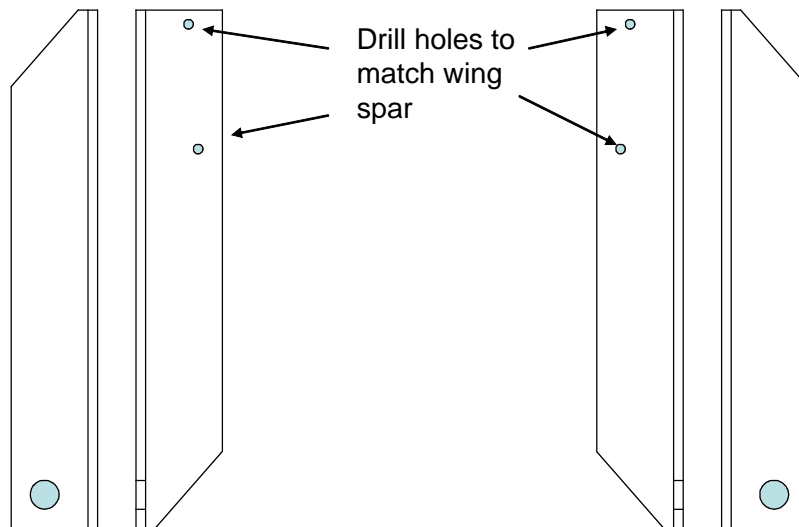
#### Qty - Description

- 1 1 1/2" x 1 1/2" x 1/8" Aluminum Angle - 45 1/8 inches long
- 2 1 1/2" x 1 1/2" x 1/8" Aluminum Angle - 21 inches long
- 2 10" x 5/8" Carriage Bolt
- 2 5/8" Washer
- 4 5/8" Bolt
- 2 Pneumatic ball bearing wheels (Approx 10" in diameter)
- 8 3/16" x 2" bolt
- 8 3/16" Nut

Using the two 21" pieces make left and right uprights as shown below.

### Left Upright

### Right Upright



Grind the carriage bolt head off on two sides to allow it to lay in the groove of the 45" piece. Drill two holes through the bolt and the angle in each direction. Use 3/16 bolts and nuts on each side (4 each side) to

attach the 5/8" bolts to the center angle. Leave enough 5/8 bolt to allow the uprights and wheel to attach leaving a 53 1/2 inside width on the uprights.

Assemble as shown below:

