

# 5 Segment Bar Display (0 to 4 LED Lit)

IC = 595-LM339AN (\$.43)

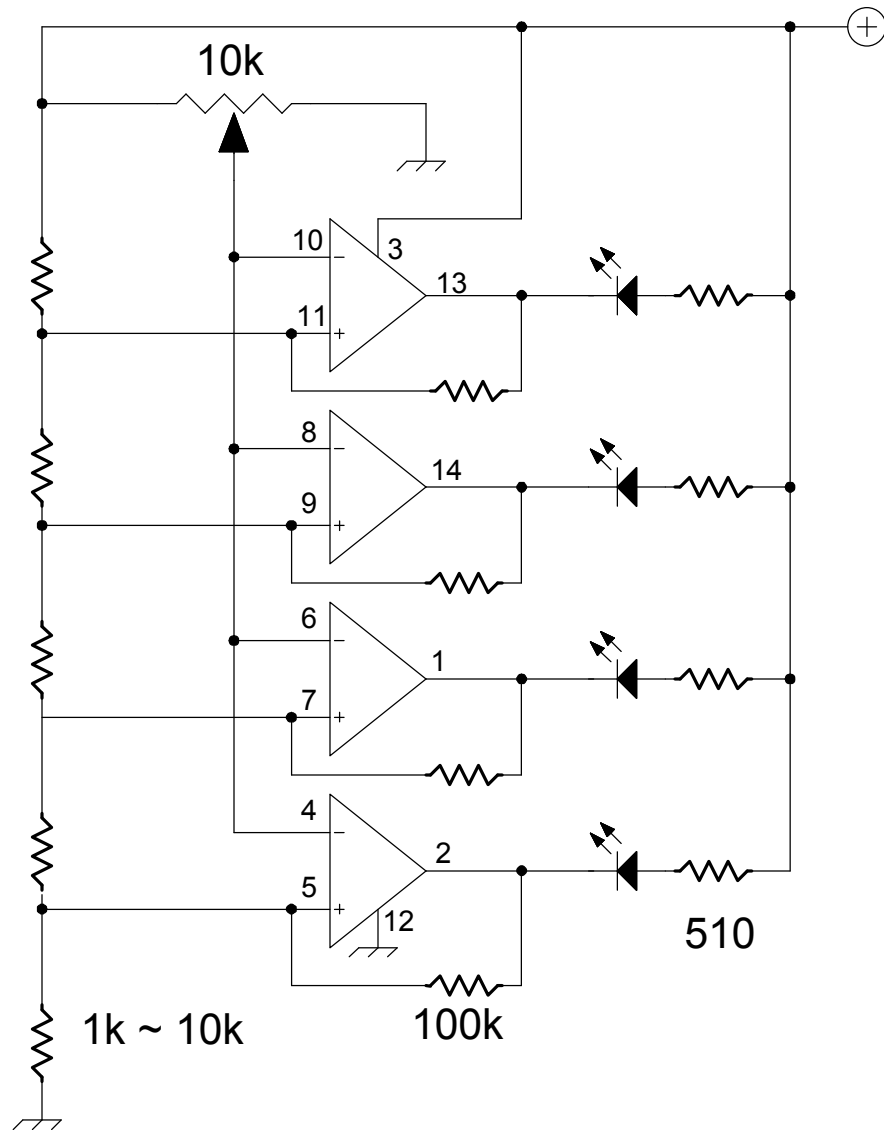
LED = 604-WP7113ID (\$0.15)

(Mouser part numbers & prices)

100k Resistors provide hysteresis to prevent jitter in display (optional)

1k to 10k Resistors are divider ladder adjust ratios to get desired trip points all equal yields linear display

510 Resistors set LED brightness



Tom Kuffel

kuffel@cyberport.net

406/862-1397