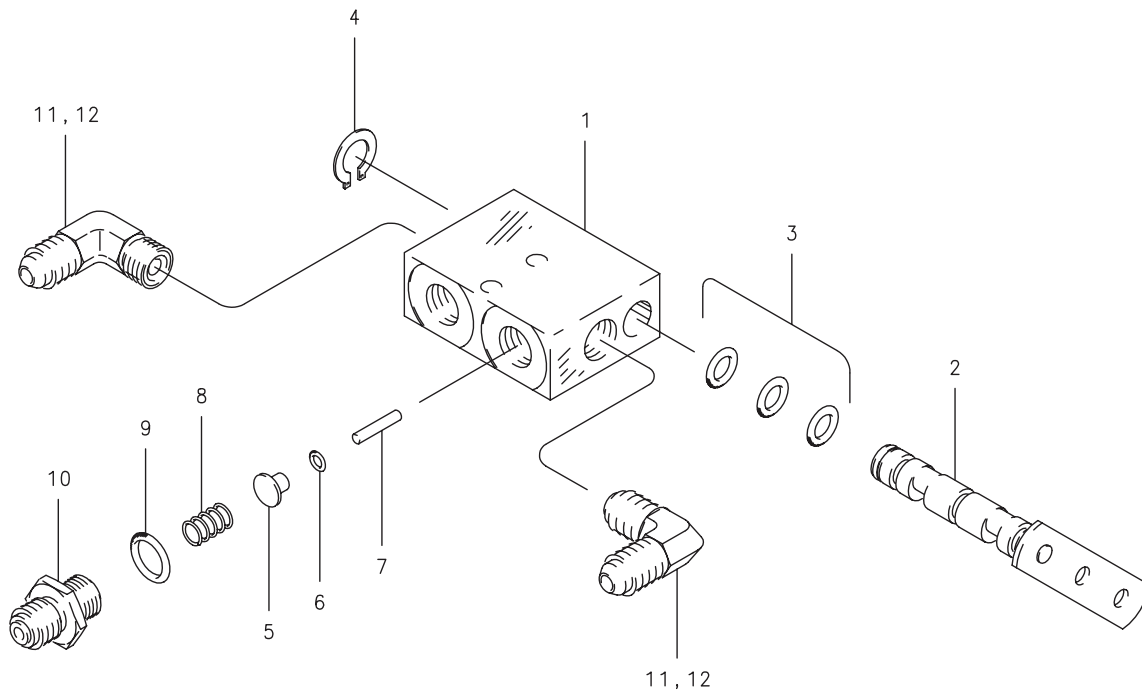


Illustrated Parts List

60-5, 60-5A, 60-5B, 60-5C, 60-5D, 60-6, 60-9, 60-9B, 60-14



Note: Parts list for reference only. Contact airframe manufacturer to order parking valve and components listed.

NOTES:

(1) The following Cleveland parking valves were formerly manufactured by Gerdes Products Co.

C.W.B. NUMBER	GERDES NUMBER
60-5	A-850-1
60-6	A-850-2
60-9	A-850-5
60-14	A-850-16

FIG.	PART NO.	DESCRIPTION	PER ASSY.											
			60-5	60-5A	60-5B	60-5C	60-5D	60-6	60-9	60-9B	60-14			
1	195-02400	Body, Valve	1	1	1	1	1	1	1	1	1	1	1	1
2	181-00900	Camshaft Assembly						1						1
	181-01000	Camshaft Assembly	1	1			1							
	181-01001	Camshaft Assembly			1									
	181-01200	Camshaft Assembly					1			1				
	181-02900	Camshaft Assembly											1	
3	101-00500	O-Ring, Camshaft (MS28775-010)	3	3	3	3	3	3	3	3	3	3	3	3
4	155-05800	Snap Ring	1	1	1	1	1	1	1	1	1	1	1	1
5	190-00800	Poppet	2	2	2	2	2	2	2	2	2	2	2	2
6	101-50353	O-Ring, Poppet (2-006-N507-90)	2	2	2	2	2	2	2	2	2	2	2	2
7	139-06800	Dowel Pin	2	2	2	2	2	2	2	2	2	2	2	2
	082-06600	Spring	2	2	2	2	2	2						2
8	082-06700	Spring									2	2		
	101-00700	O-Ring, Fitting (MS28775-012)	2	2	2	2	2	2	2	2	2	2	2	2
10	104-03300	Fitting	2			2								
	104-03400	Fitting								2	2			
	104-03500	Fitting		2	2		2	2						2
11	104-00400	Fitting (MS20822-4D)	2			2								
12	104-00900	Fitting (AN822-3D)		2	2		2	2						2
	199-527	Repair Kit (4,7,10)	1	1	1	1	1	1	1	1	1	1	1	1

