

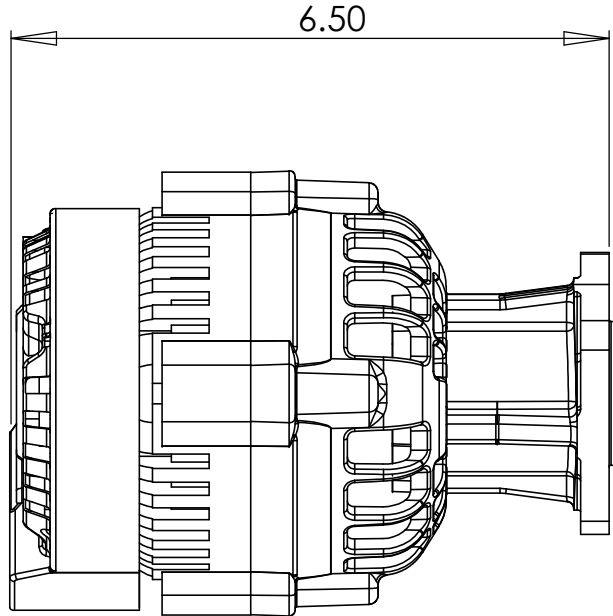
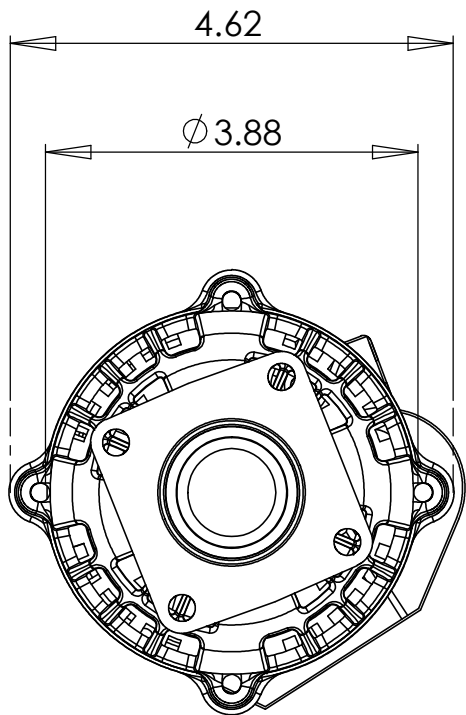
8 7 6 5 4 3 2 1

NOTE: ALL DIMENSIONS ARE TYPICAL

REVISIONS

LTR.	DESCRIPTION	DATE	APR.

D
C
B
A



D
C
B
A

STANDARD TOLERANCES

ALL DIMENSIONS IN INCHES UNLESS SPECIFIED
 DECIMALS ± 0.02 ANGLES ± 1 DEGREE
 FRACTIONS $\pm 1/16$ CONCENTRICITY 0.127 TIR

PLANE POWER, LTD.

GRANBURY, TEXAS

FS1-14 TYPICAL DIMENSIONS

DRAWN BY: B. JOWERS		DATE: 9/7/11	
MATERIALS:		DWG. NO.	REV.

8 7 6 5 4 3 2 1