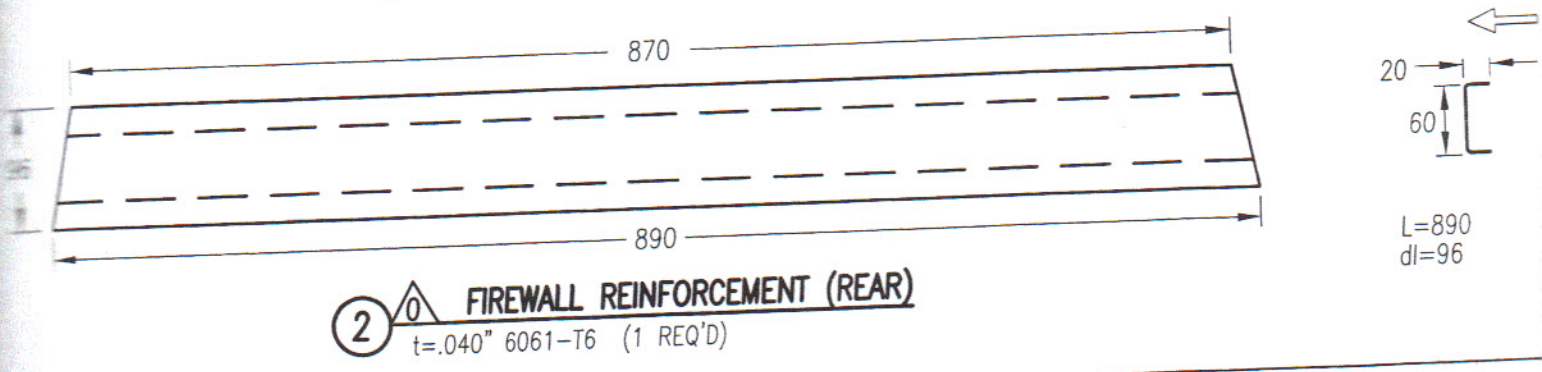
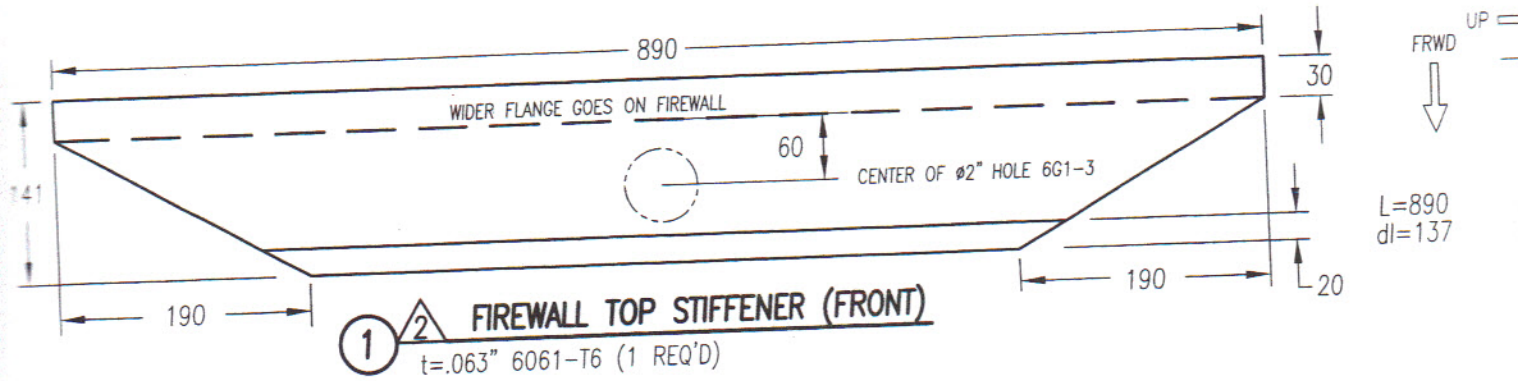
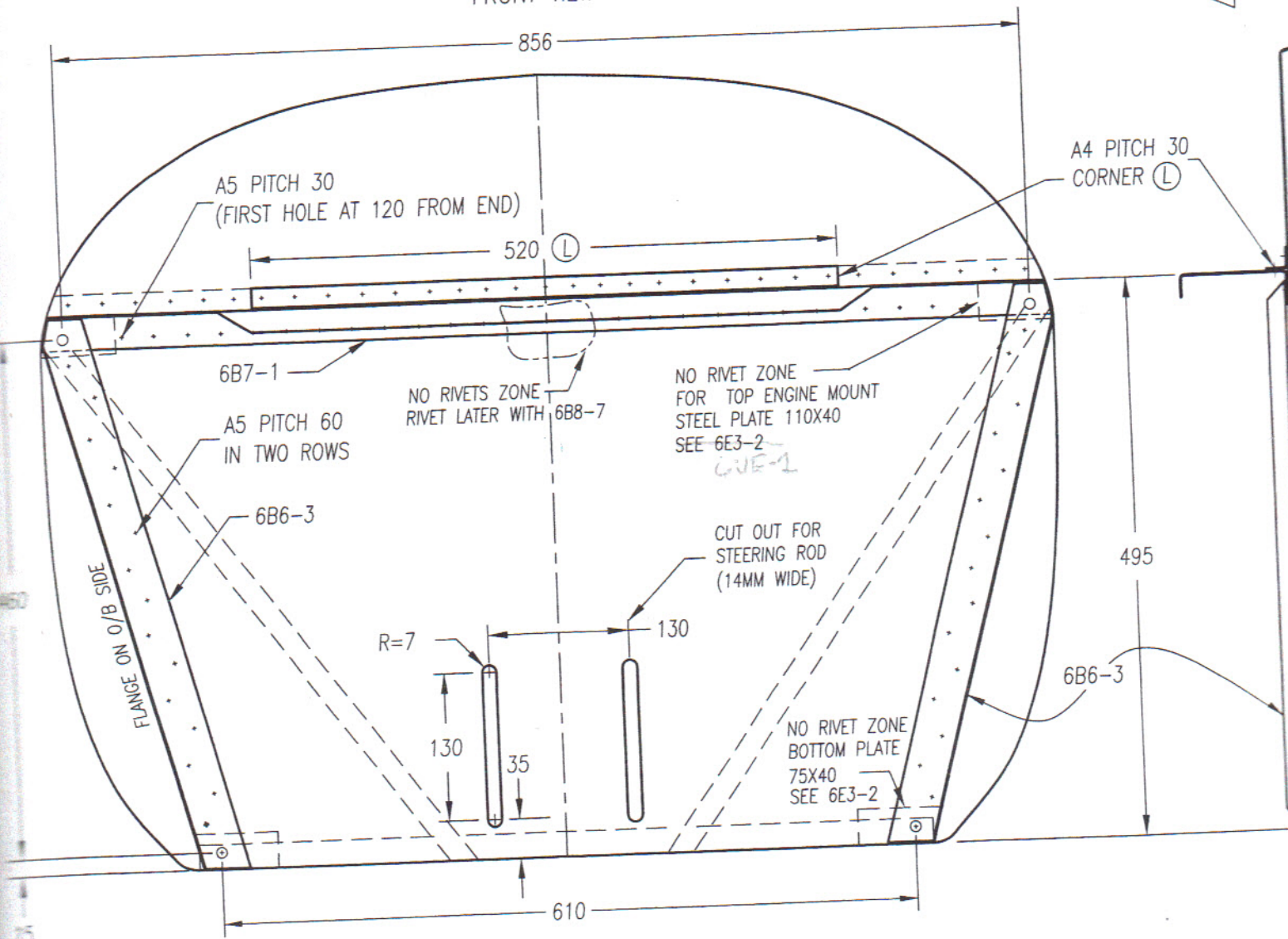
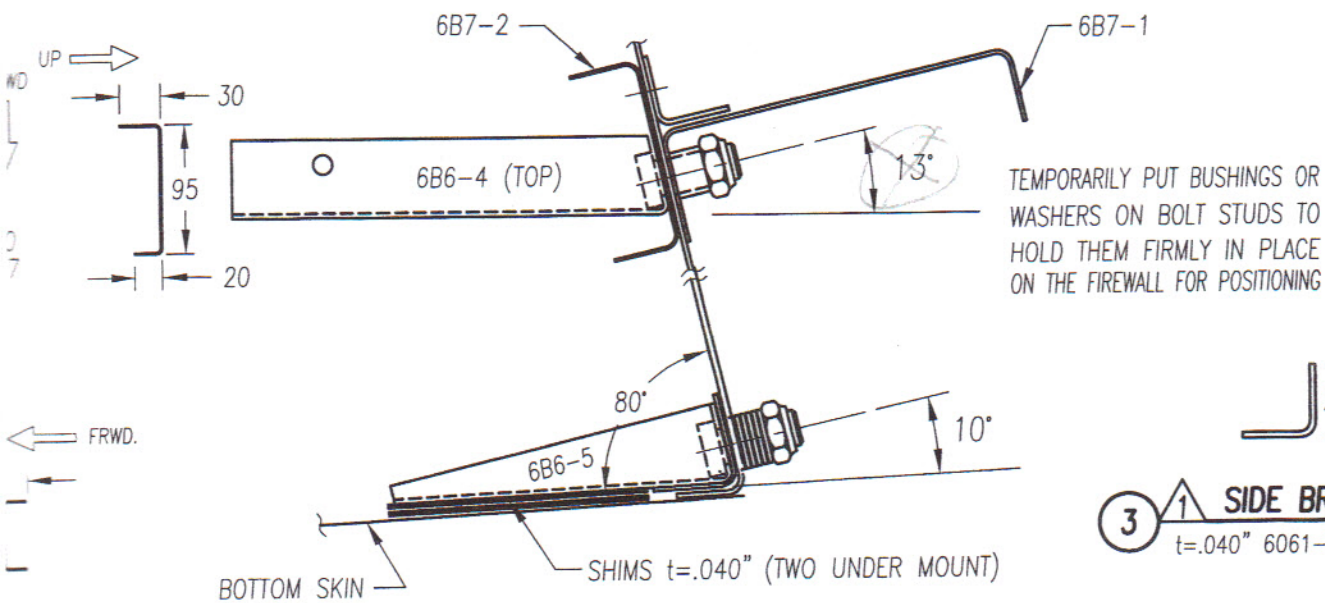
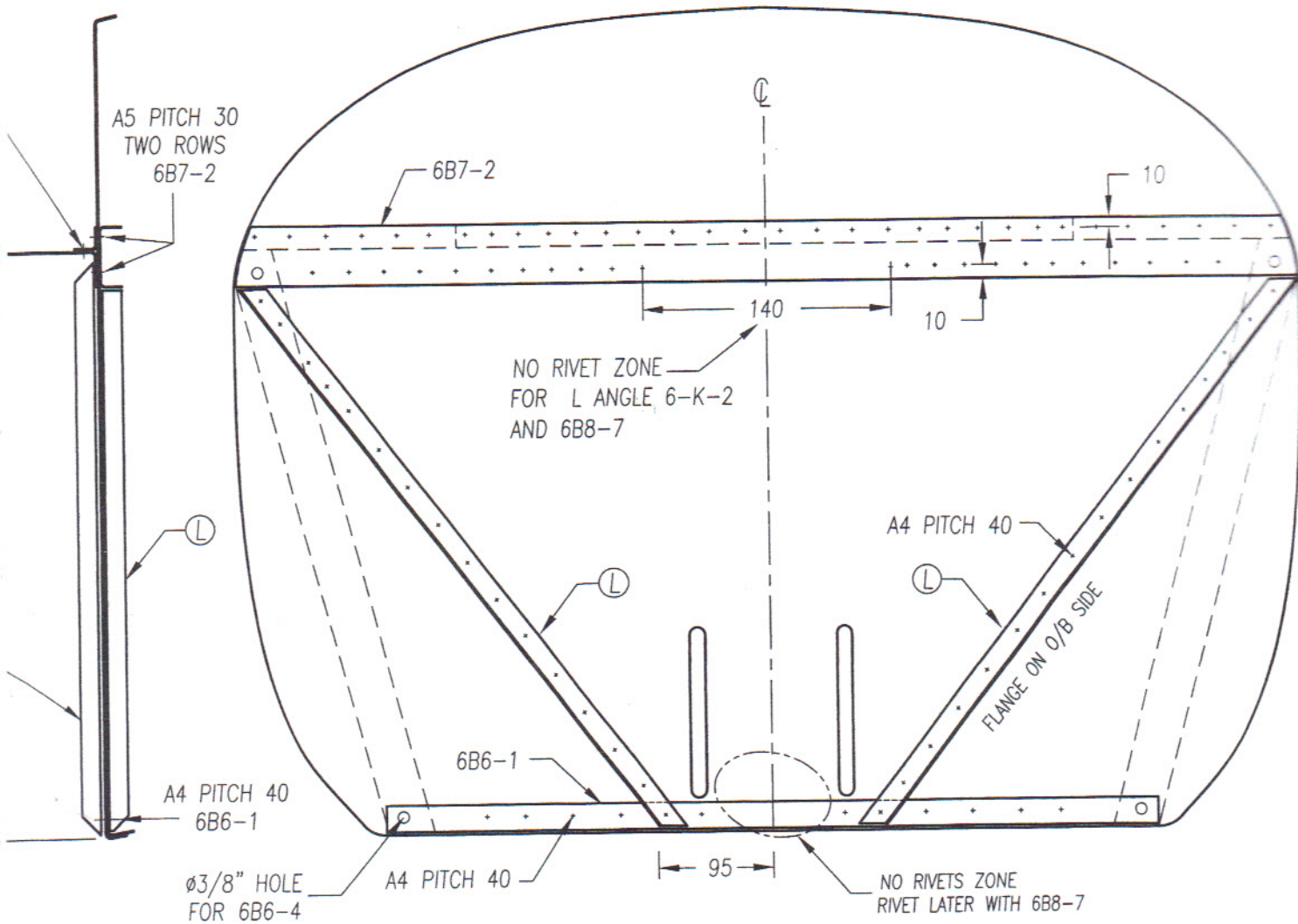


FRONT VIEW



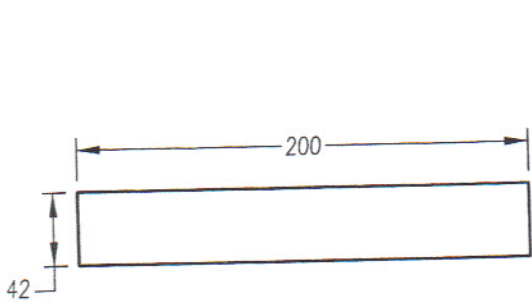
REAR VIEW

← FRWD.

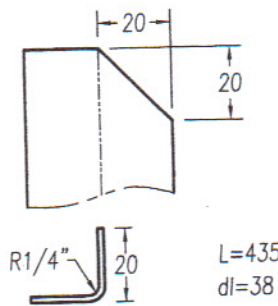


3 SIDE BRACE
t=.040" 6061-T6 (2 REQ'D)

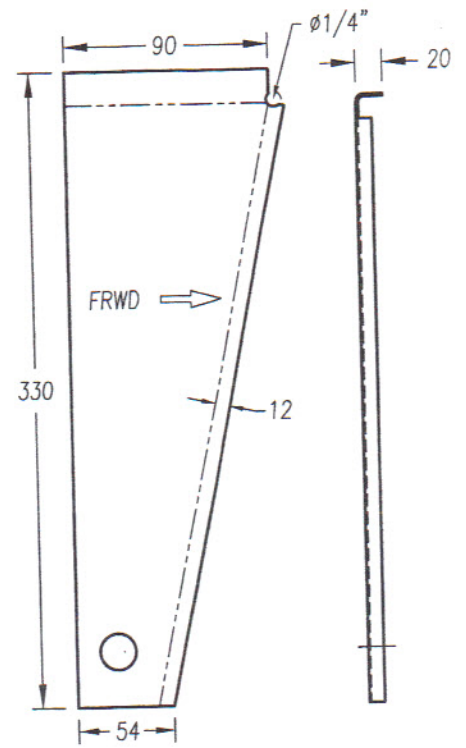
ZODIAC CH 601 XL	FIREWALL RIVETING FIREWALL FRONT & REAR STIFFENERS	6-B-7
	copyright © 2002 CHRIS HEINTZ zenithair.com	



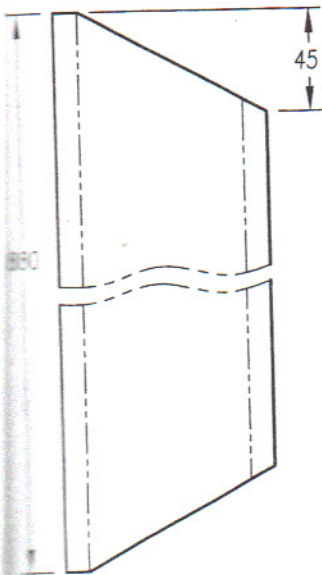
10 **1** **FORWARD GUSSET**
 t=.063" 6061-T6 (1 REQ'D)



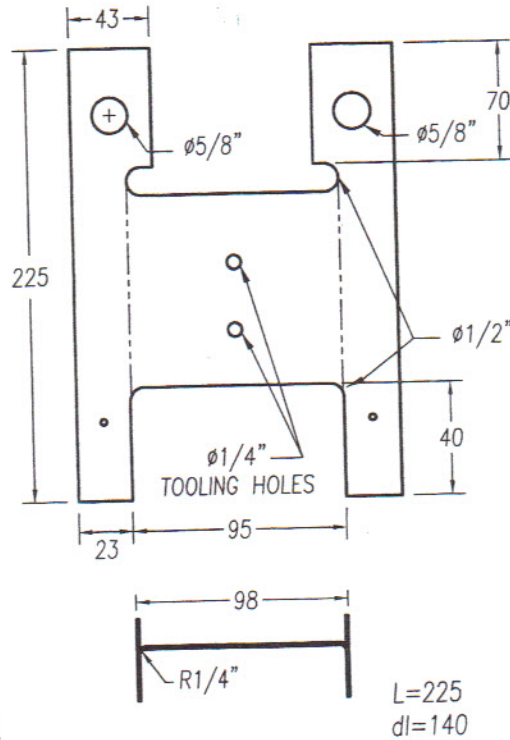
11 **1** **UPPER ANGLE**
 t=.063" 6061-T6 (1 REQ'D)



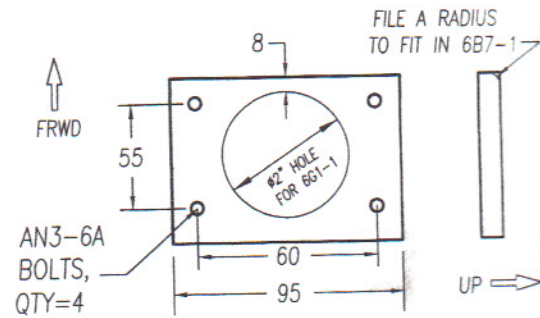
1 **1** **GEAR GUSSET**
 t=.040" 6061-T6 (1L+1R REQ'D)



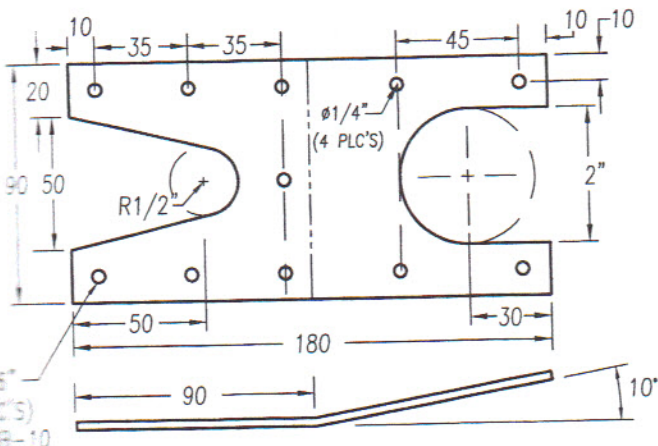
8 **1** **HEEL SUPPORT**
 t=.025" 6061-T6 (1 REQ'D)
 L=880
 dl=205



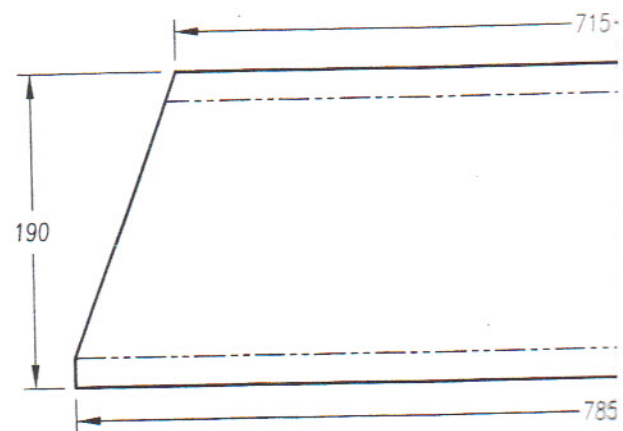
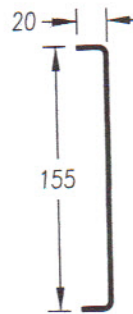
2 **1** **FIREWALL STIFFENER DOUBLER**
 t=.063" 6061-T6 (1 REQ'D)



6 **0** **UPPER BEARING**
 1/4" NYOIL (1 REQ'D)

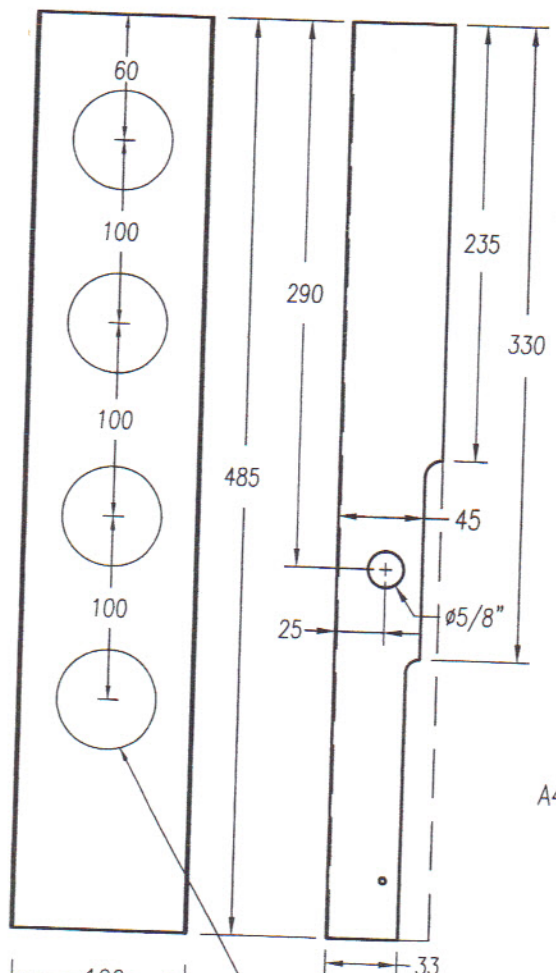


9 **0** **LOWER BEARING SUPPORT**
 t=1/8" 6061-T6 (1 REQ'D)



3 **1** **PEDAL BEARING CHAN**
 t=.040" 6061-T6 (1 REQ'D)

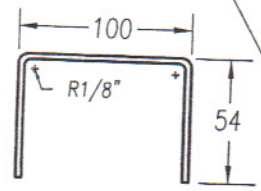
← 20



R REQ'D)

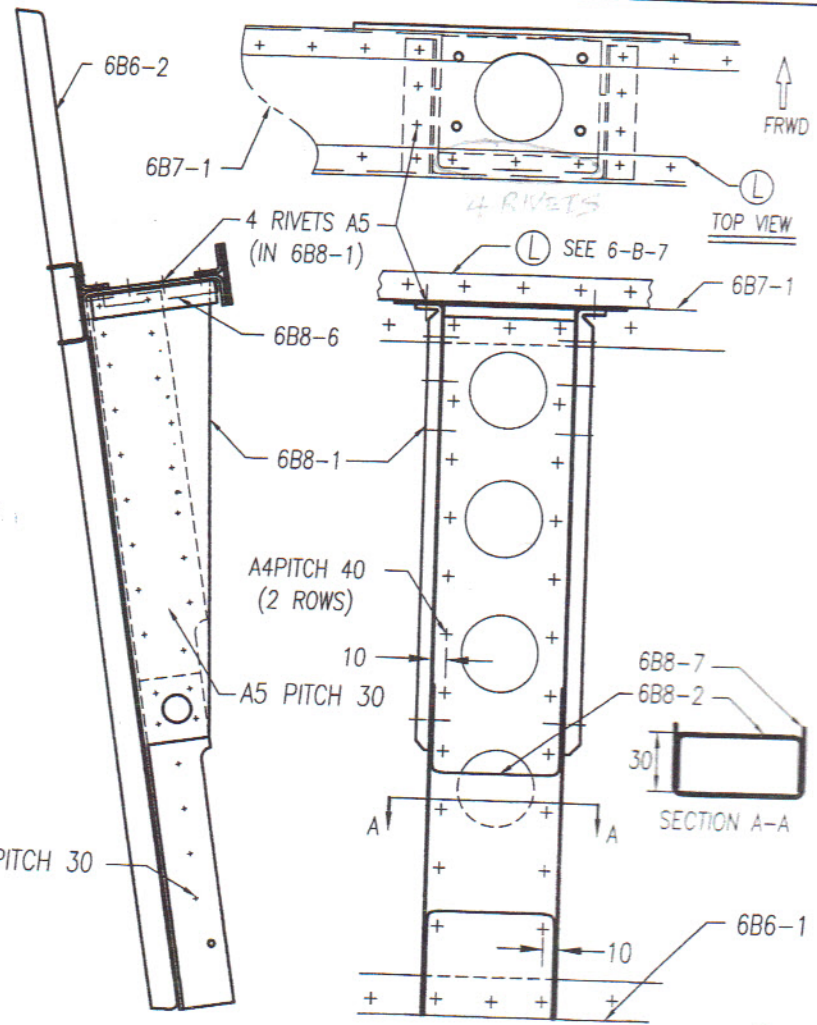
ADIUS
6B7-1

JP →



DIA.=2" (50mm)
4 LIGHTENING HOLES
(NOT FLANGED)
L=485
dl=205

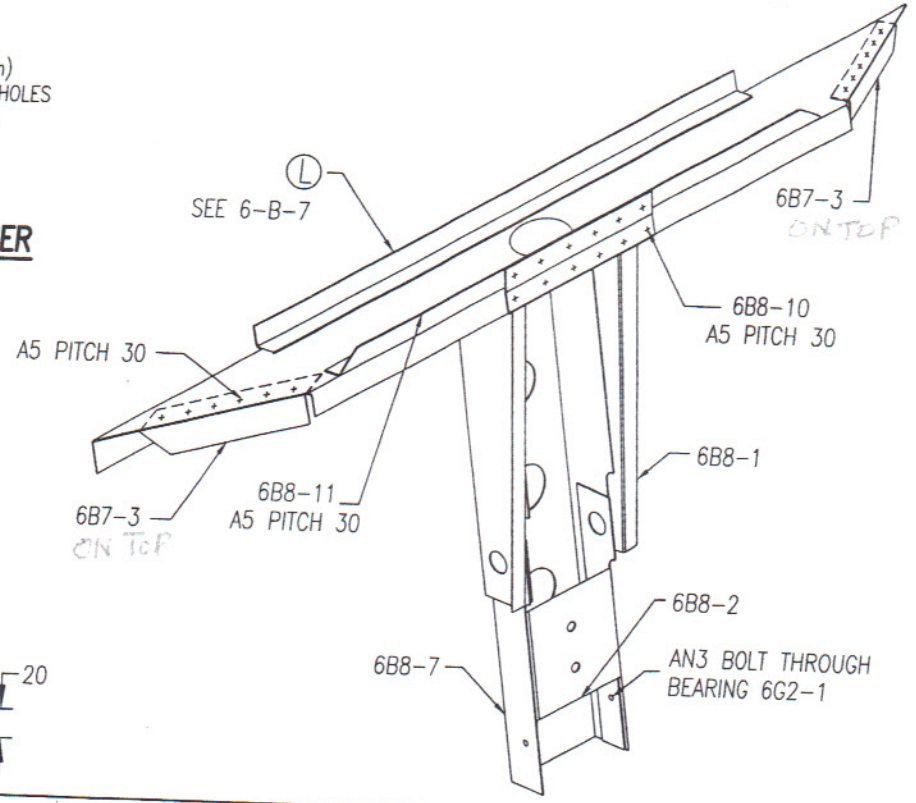
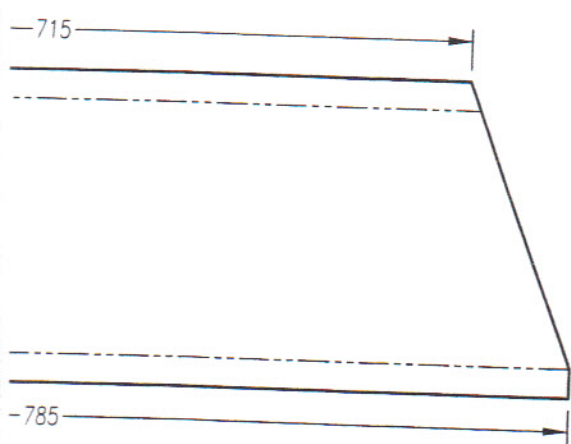
7 **1** **CENTER FIREWALL STIFFENER**
t=.040" 6061-T6 (1 REQ'D)



A4 PITCH 30

SEE 6-B-7

6B7-3
ON TOP



HANNEL
L=785
dl=190

ZODIAC
CH 601 XL

NOSE GEAR UPPER BEARING

6-B-8

copyright © 2002 CHRIS HEINTZ

zenithair.com

DATE: 08/05