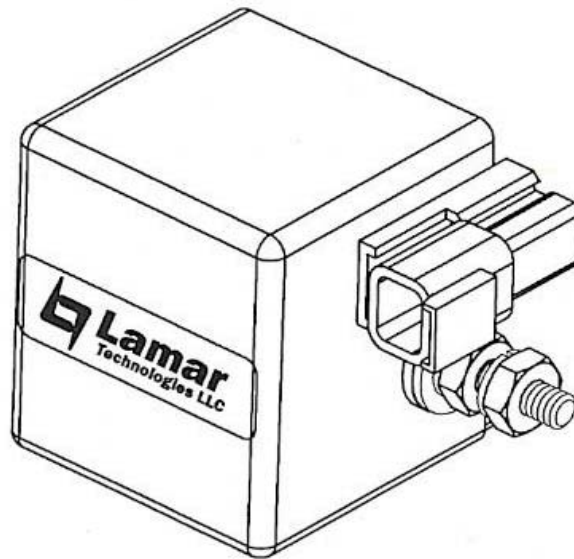


OUTLINE & SPECIFICATIONS
BI-DIRECTIONAL
SS2-NEG-EXP, SS2-POS-EXP



Patent pending

NOTICE: *Lamar Technologies, LLC* claims proprietary rights to the information disclosed heron. This document may not be reproduced or copied in whole or in part, be disclosed to others nor be used for manufacturing purposes without written permission from *Lamar Technologies*.

DATE WRITTEN	ORIGINAL AUTHOR	LASTEST REVISION DATE	SHEET NO.	NO. OF SHEETS	WRITTEN BY:
03-23-07		11/17/09	1	7	APPROVED BY: J. DUCKWORTH
LATEST CHANGE C	LAMAR TECHNOLOGIES, LLC 14900 40 th Ave N.E., Marysville, WA 98271 F.A.A. Repair Station: L1RR089Y ξ F.A.A.-P.M.A.: PQ2242NM				CAGE CODE 3RCD2

SS2-NEG-EXP

1.0 DESCRIPTION

The SuperSwitch is a light weight solid state replacement for the mechanical type contactor.

2.0 INPUT SPECIFICATIONS

Input Control Current Voltage: 7V – 32V

3.0 OUTPUT SPECIFICATIONS

Operating DC Voltage Range: 7V-32V

Maximum continuous current: 80A (see section 5.0)

Maximum Surge Current (IDM) < 0.1mS: 1200A

Maximum On-State Resistance: 2.8mΩ

4.0 GENERAL SPECIFICATIONS

Operating Temperature: -40°C to 120°C

Storage Temperature : -55°C to 150°C

Mechanical Specifications

Mating Connector: Connector Lamar P/N: X52-0081 (Deutsch DTM06-2S)
Contact Lamar P/N: X51-0035 (Deutsch 0460-201-20141)
Lock Lamar P/N: X52-0081-1 (Deutsch WM-2P)

Weight : .6lbs

SS2-POS-EXP

1.0 DESCRIPTION

The SuperSwitch is a light weight solid state replacement for the mechanical type contactor.

2.0 INPUT SPECIFICATIONS

Input Control Current Voltage: 7V-32V

3.0 OUTPUT SPECIFICATIONS

Operating DC Voltage Range: 7V-32V

Maximum continuous current: 80A (see section 5.0)

Maximum Surge Current (IDM) < 0.1mS: 1200A

Maximum On-State Resistance: 2.8mΩ

4.0 GENERAL SPECIFICATIONS

Operating Temperature: -40°C to 120°C

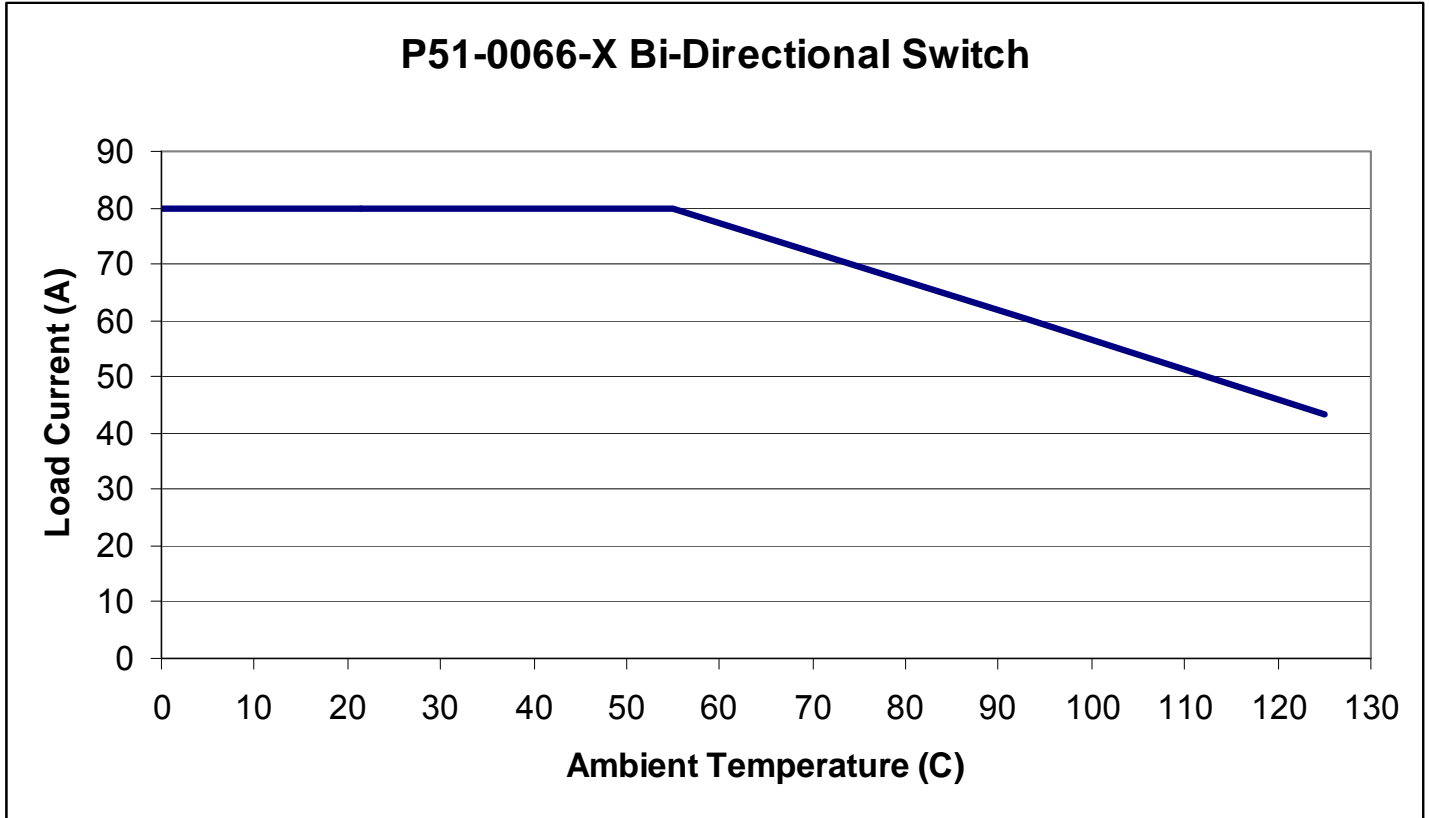
Storage Temperature: -55°C to 150°C

Mechanical Specifications

Mating Connector: Connector Lamar P/N: X52-0080 (Deutsch DTM02-2P)
Contact Lamar P/N: X51-0041 (Deutsch 0460-202-20141)
Lock Lamar P/N: X52-0080-1 (Deutsch WM-2P)

Weight: .6lbs

5.0 Safe Operating Area



6.0 PRODUCT OUTLINES
Dimensional drawings of product

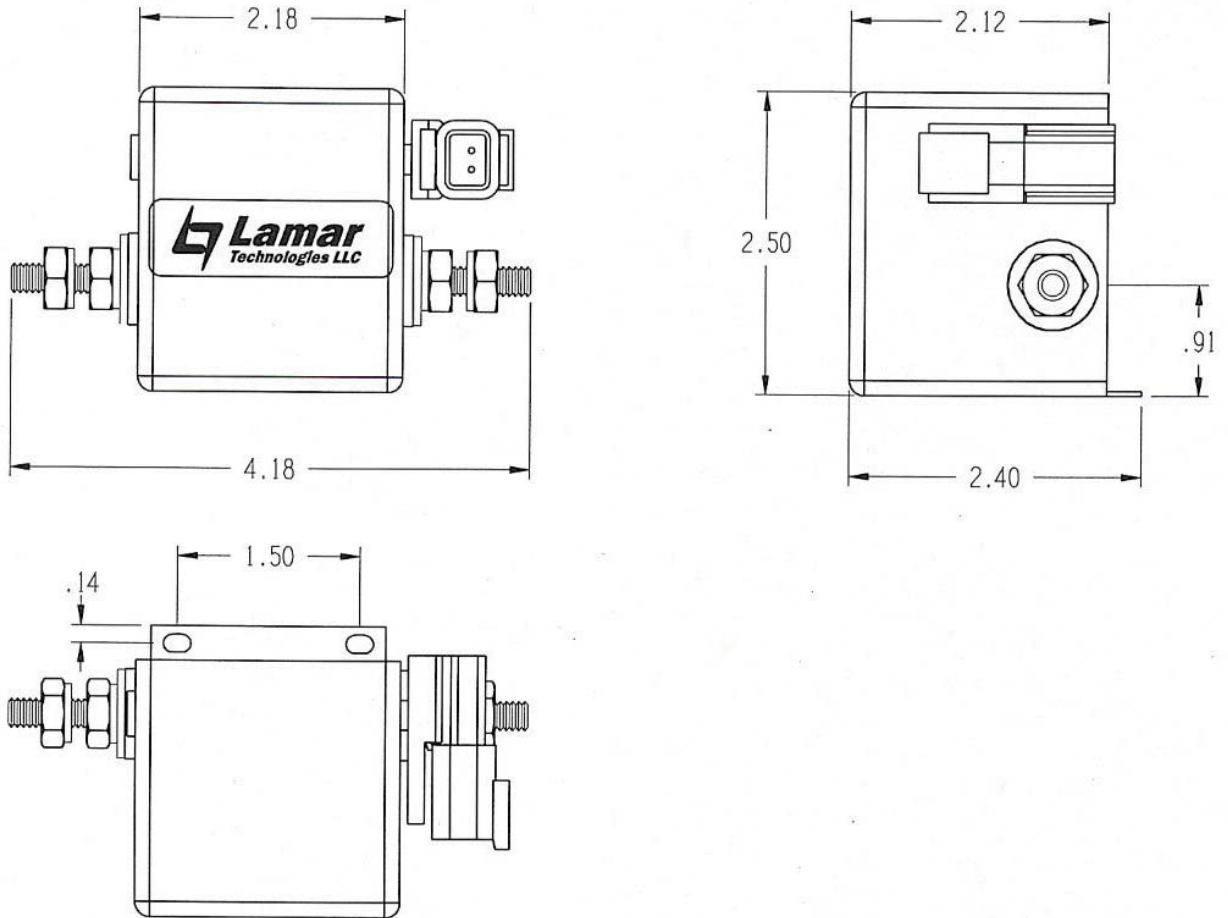


FIGURE 1
DIMENSIONS FOR REFERENCE ONLY

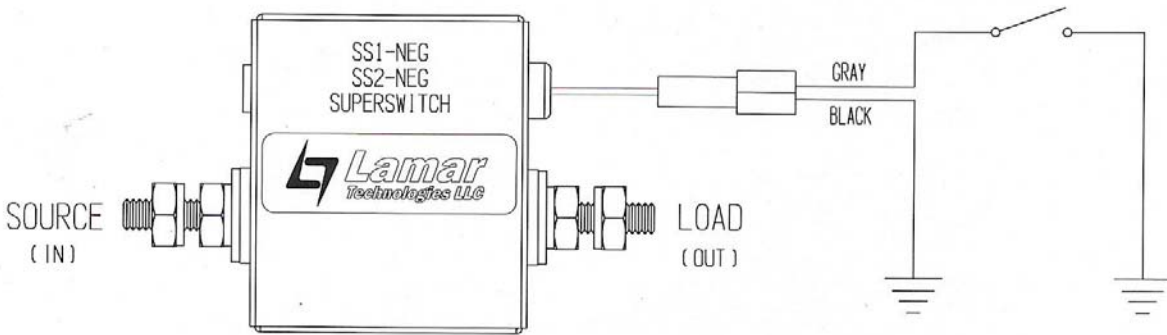
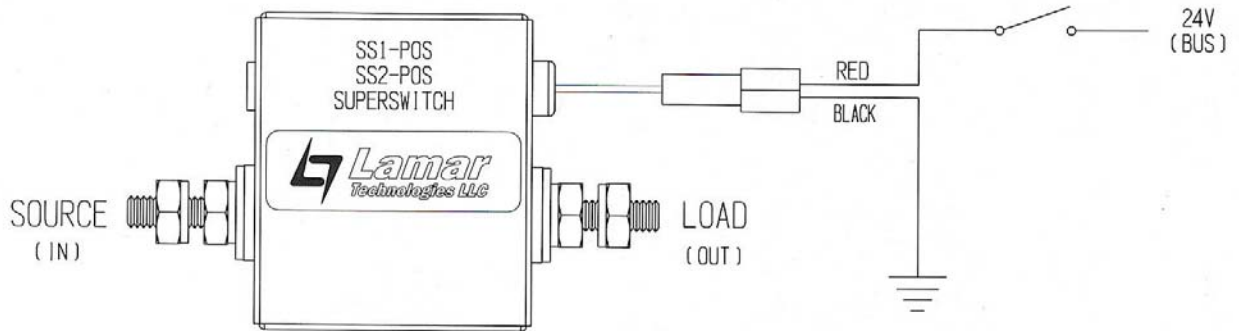


FIGURE 2
Typical Connection