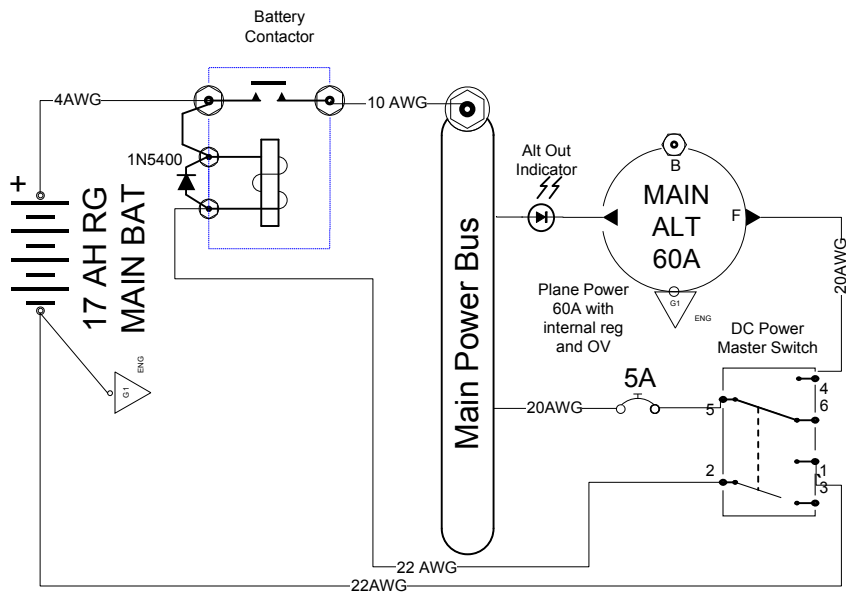


Aeroelectric way of wiring master switch.



Proposed way of wiring master switch which allows the master to be a SPST switch.

