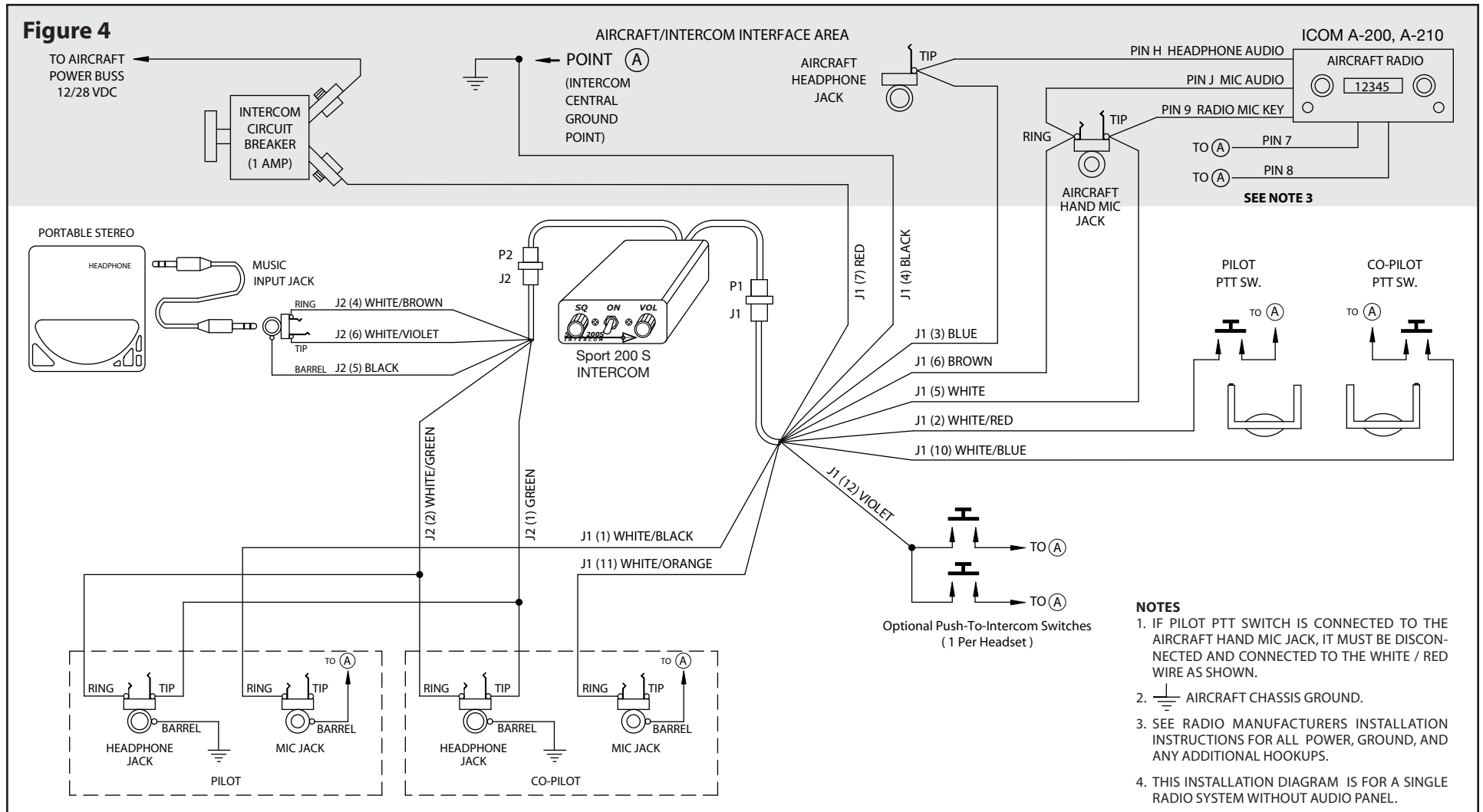


Figure 4



Sport 200S – ICOM A-200, A-210 Radio Installation Wiring Diagram