

MATERIAL

**ORIGINAL**

COLOR

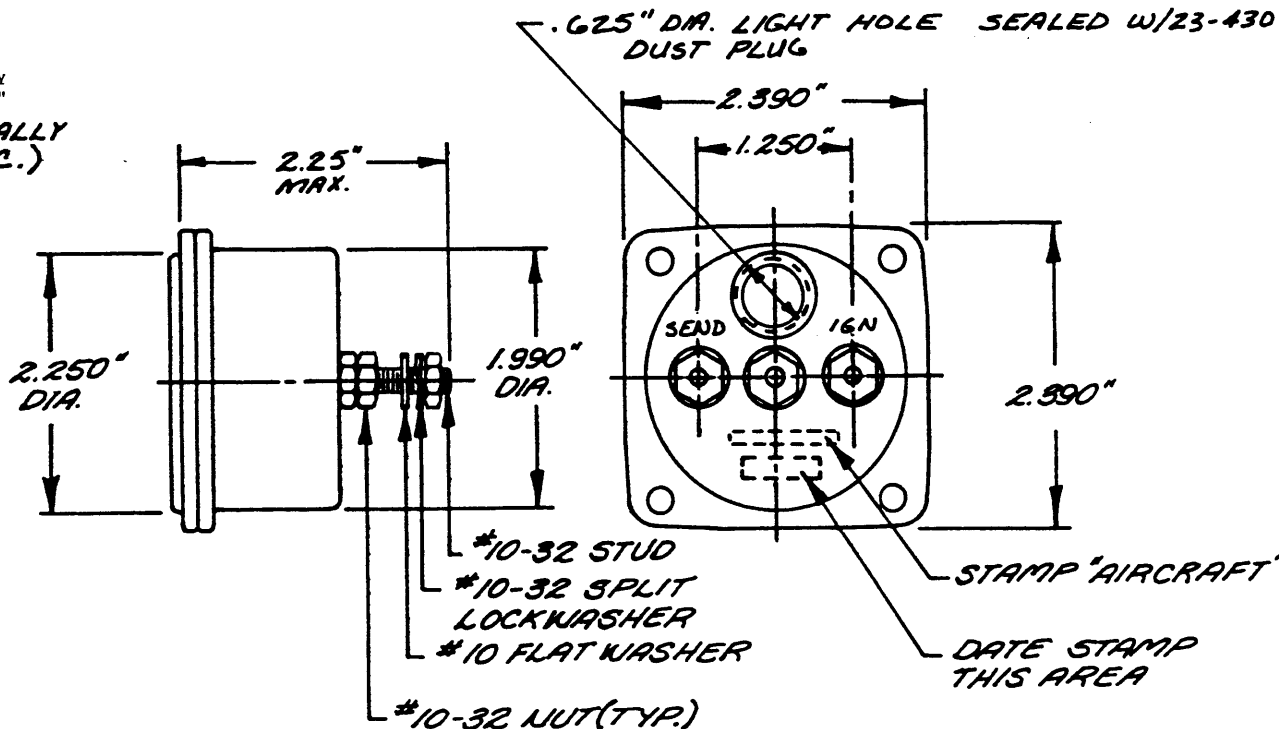
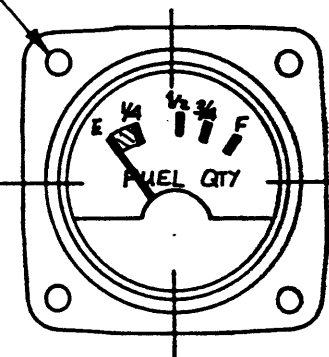
DRAWING NUMBER  
3090-00106

**AIRCRAFT SPRUCE & SPECIALTY**

"EXPERIMENTAL"

" THE USE OF THIS PRODUCT IN AIRCRAFT IS LIMITED TO EXPERIMENTAL AIRCRAFT APPLICATIONS ONLY. ROCHESTER GAUGES INC. TAKES NO POSITION AS TO THE SUITABILITY OF THIS DEVICE FOR ANY PARTICULAR APPLICATION INCLUDING ANY SPECIFIC AIRCRAFT APPLICATION. THE CUSTOMER IS SOLELY RESPONSIBLE FOR THE APPLICATION AND USE OF THIS PRODUCT."

.170" DIA. (4 HOLES EQUALLY SPACED ON 2.625" B.C.)



CALIBRATION CHART			TOLERANCE IN POINTER WIDTHS
GRAD	OHMS	DEG.	
E	1 Ω	-34°	-1 +0
1/4	22.5 Ω	-19°	±1
1/2	45 Ω	5.5°	±1
3/4	67.5 Ω	25.8°	±1
F	88 Ω	+35°	±1/2

- NOTES:
1. ALL DIMENSIONS ARE FOR REF. ONLY.
  2. STAMP BACK OF CASE AS SHOWN.
  3. MT'G. SCREWS FURNISHED BY CUSTOMER.
  4. USE 105 & 3 LIGHT KIT ON LIGHTED MODELS
  5. USES D153 & 00292 P.C. BOARD
  6. SHIP WITH INSTRUCTION SHEET 115-492 WITH EACH UNIT.

MOV'T: 0-90 Ω 14 VDC  
 DIAL: 5-90537  
 CASE: GLASS FILLED NYLON, LIGHT PROVISION  
 TERM.: #10-32 BRASS  
 PACK.:

D	"EXPERIMENTAL" AND AIRCRAFT APPLICATION NOTE ADDED	H-5857	8-18-92										
A	ADDED CAL CHART	D-2654	9-5-80	B	ADD NOTE 6	F-1362	7-16-81	C	ANGLES IN CAL. CHART REVISED	H-1341	7-26-85		
LET.	REVISION	E.R.*	DATE	LET.	REVISION	E.R.*	DATE	LET.	REVISION	E.R.*	DATE		
TOLERANCES NOT SHOWN		ANG. ± 1, DEC. ± .005", FRACT. ± 1/64"		MAT'L: COMM. TOLE.		DO NOT SCALE DRAWING		SUPERSEDES NEW		DR. MINETTE		CHK. J. Heweth	
ROCHESTER GAUGES, INC., OF TEXAS		DALLAS, TEXAS, U.S.A.		SCALE NONE		DATE 8-4-80		PART NAME AIRCRAFT PANEL METER, FUEL QTY		APPR. D-2627		USED 14 V AIRCRAFT ON	
										DRAWING NUMBER 3090-00106			

APPR # 495