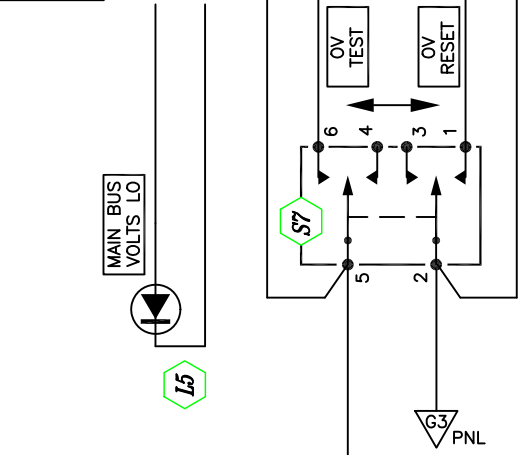
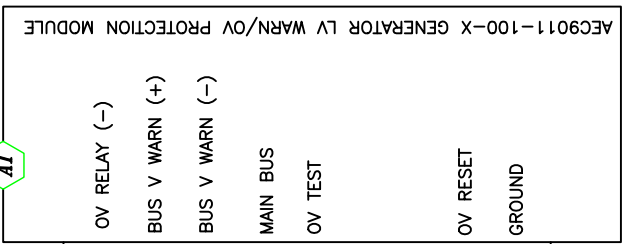


(NOTE 20)



TITLE	PAGE
PM ALTERNATOR LV/OV WIRING	