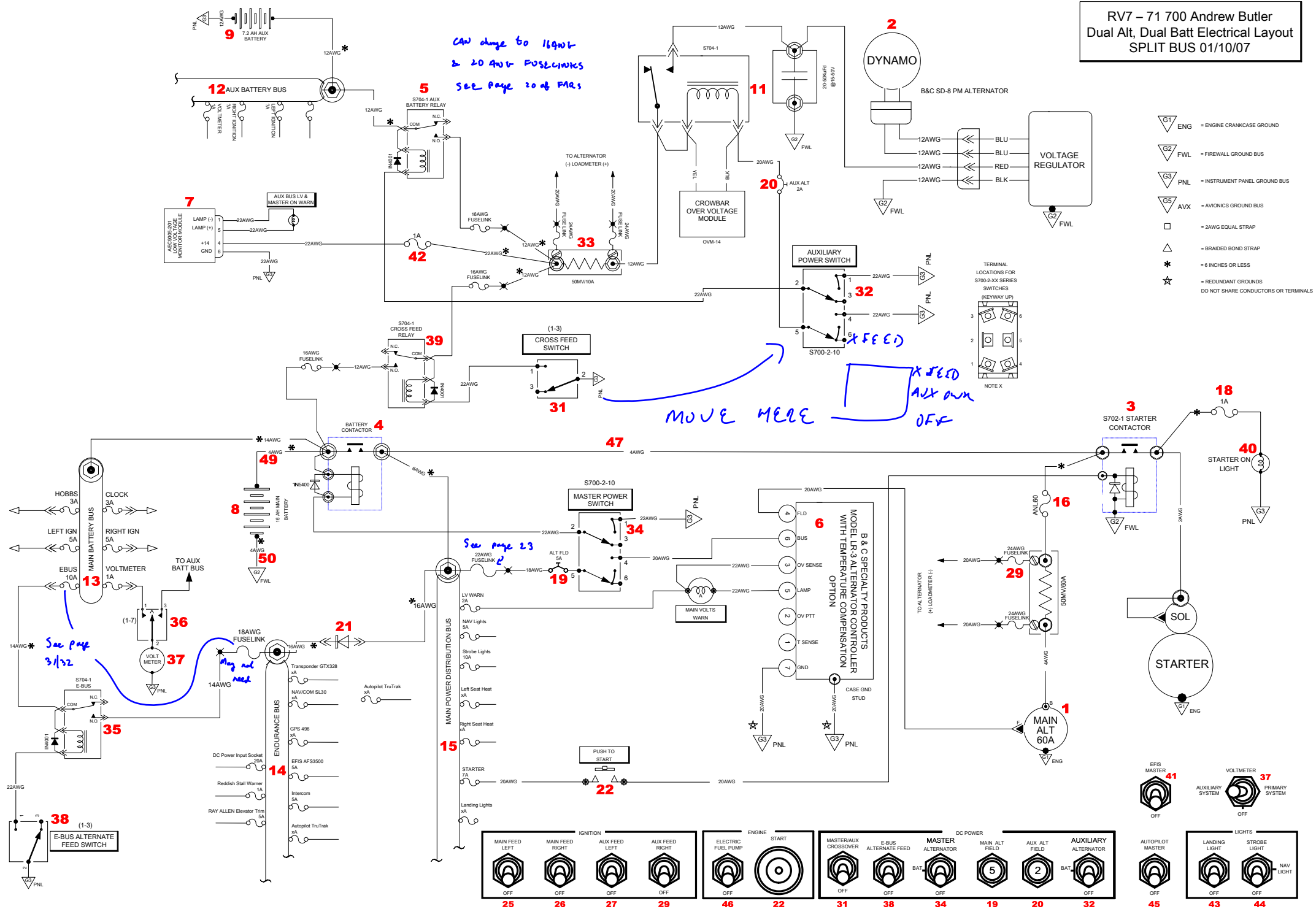


**RV7 - 71 700 Andrew Butler**  
**Dual Alt, Dual Batt Electrical Layout**  
**SPLIT BUS 01/10/07**



- ▽ G1 = ENGINE CRANKCASE GROUND
- ▽ G2 = FIREWALL GROUND BUS
- ▽ G3 = PNL = INSTRUMENT PANEL GROUND BUS
- ▽ G5 = AVX = AVIONICS GROUND BUS
- = 2AWG EQUAL STRAP
- △ = BRAIDED BOND STRAP
- \* = 8 INCHES OR LESS
- ☆ = REDUNDANT GROUNDS DO NOT SHARE CONDUCTORS OR TERMINALS

